



Natural Stone Imports

Hotel & Condo Projects

P.B. Marble Services Co.

15216 Hartsook St. Sherman Oaks, CA 91403

Voice (800)788-8478 (818)783-3588 Fax (818)784-9924

www.marbleservices.com E-mail: pini@marbleservices.net

Marble, Granite, Travertine & Limestone



The Full Catalog is published on our web site



Voice (800)788-8478 (310)282-8217 (818)783-3588 Fax (818)784-9924
www.marbleservices.com E-mail: pini@marbleservices.net

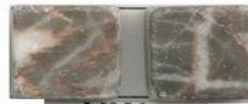
MARBLE MOSAIC CHART



M029—
Helical Cream



M052—
EMPERADOR



M056—
RED VINE IN
COFFEE



M056W—
WHITE VINE IN
GRAY



M057—
Copper Yellow



M058—
Cyan Cream



M058B—
CYAN & PINK
CREAM



M059—
YANGZI PINK



M061—
WHITE CREAM



M063P—
Projo Alicante



M064—
Mugwort Green



M068—
SHELL



M069A—
Peacock Green



M07—
GREEN JADE



M071—
LOTUS GREEN



M074—
BROWN RED



M08—
GREY BLACK



M08C—
WHITE VINE
IN BLACK



M08B—
LB BLACK



085A—
ROsin YELLOW



M102—
VERDE ROSA



M121—
TOPAZ



M126—
Chromatic gray



M147—
GIALLO REALE



M1101—
CHINA WHITE



M2117—
VEGETABLEG
REEN



GREY WOODEN
VEIN



CHINA BEIGE—
Cream Marfil



M-MW(LIGHT)—
WOODEN VEIN
LIGHT



M-MW(DARK)—
WOODEN VEIN
DARK



SLMD



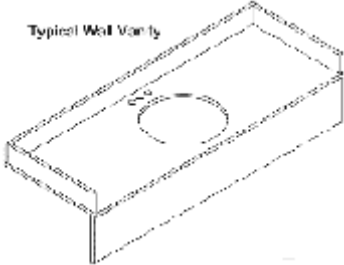
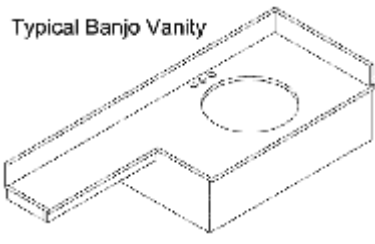
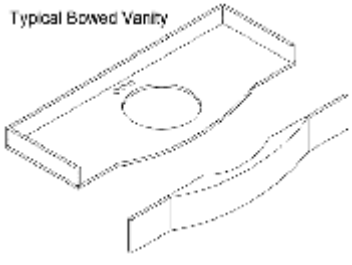
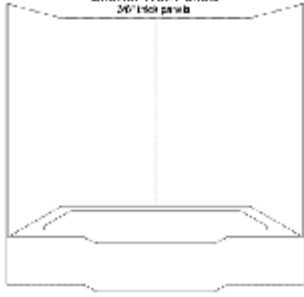
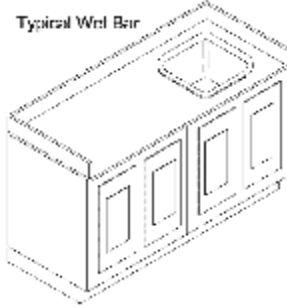
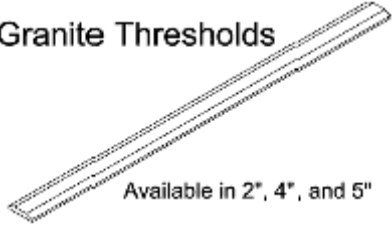
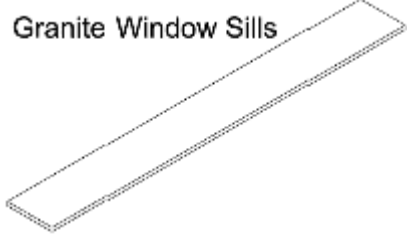
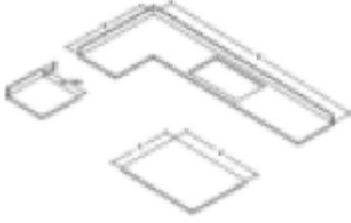
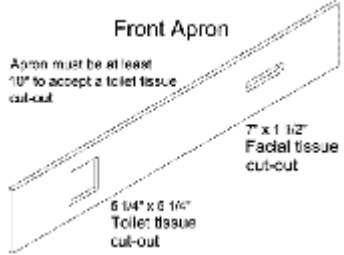
YSRED—
ROSE YANG

Hotel Project Samples & Drawings

Typical wall vanity
Shower wall panels
Granite window seal

Typical banjo vanity
Typical wet bar
Typical kitchen

Typical bowed vanity
Granite threshold
Apron cutouts

 <p>Typical Wall Vanity</p> <p>(60"x24"x3/4")</p> <p>Golden Peach \$65.00</p>	 <p>Typical Banjo Vanity</p> <p>(72"x24"x3/4")</p> <p>Golden Peach \$85.00</p>	 <p>Typical Bowed Vanity</p> <p>(60" x 24")</p> <p>Golden Peach \$120.00</p>
 <p>Shower Wall Panels 36" high panels</p> <p>(60"x60"x82")3/4"</p> <p>Golden Peach \$350.00</p>	 <p>Typical Wet Bar</p> <p>(60"x24"x3/4") Golden Peach \$60.00</p>	 <p>Granite Thresholds</p> <p>Available in 2", 4", and 5"</p>
 <p>Granite Window Sills</p>	 <p>38 sqf. Golden Peach \$265.00</p>	 <p>Front Apron</p> <p>Apron must be at least 10" to accept a toilet tissue cut-out</p> <p>6 1/4" x 6 1/4" Toilet tissue cut-out</p> <p>7" x 1 1/2" Facial tissue cut-out</p>

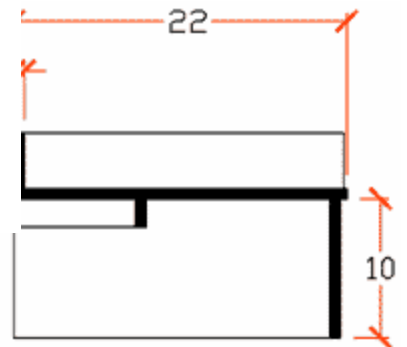
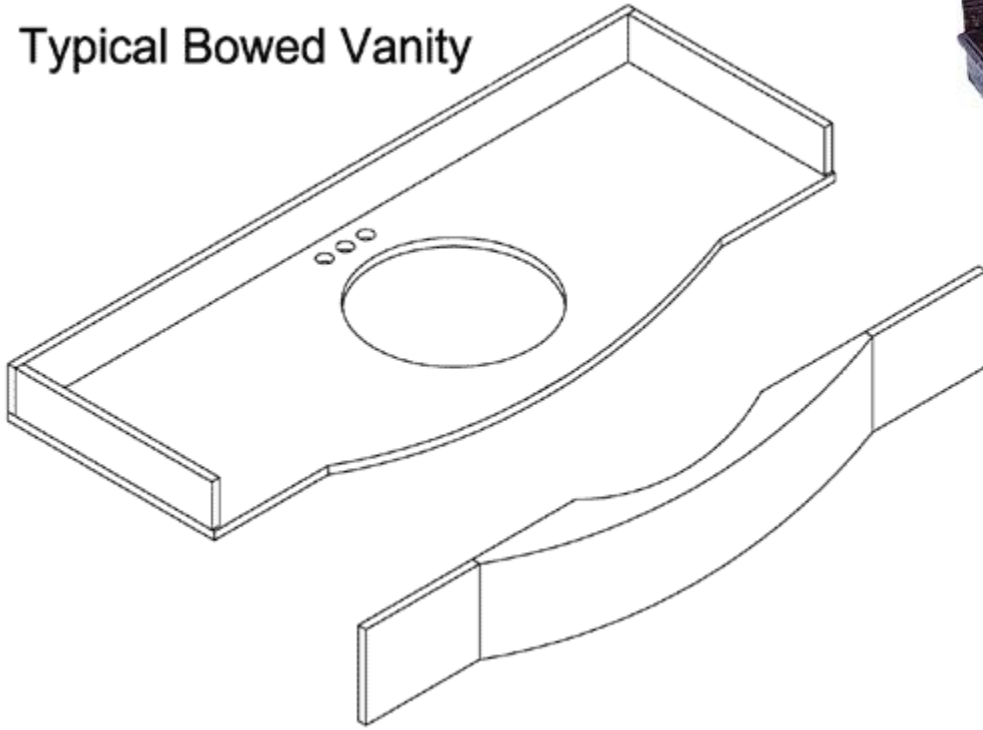
Front Edge Detail



Hotel Project Samples & Drawings



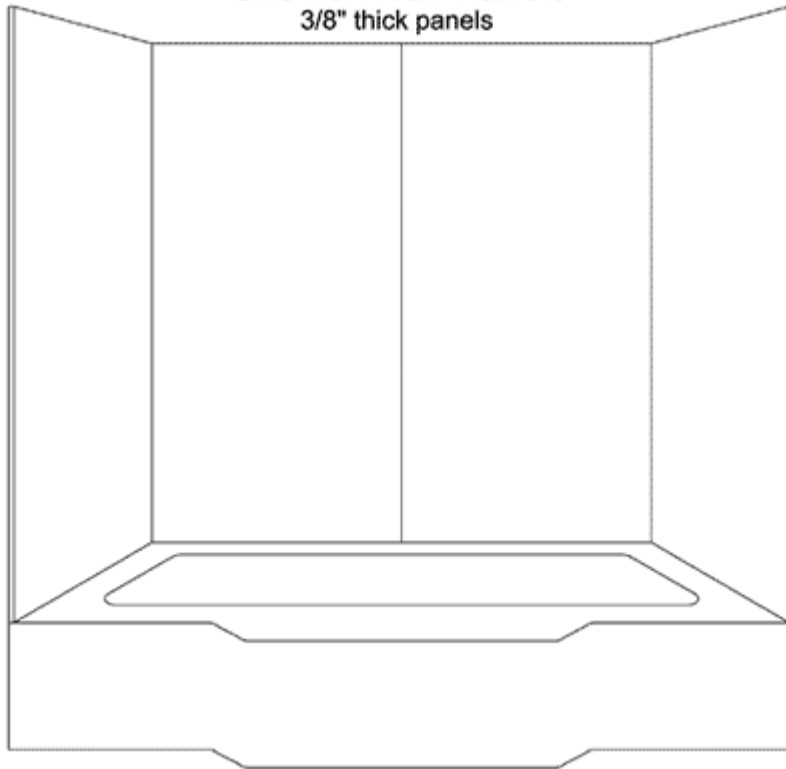
Typical Bowed Vanity



(60" x 24") [Golden Peach](#) \$120.00

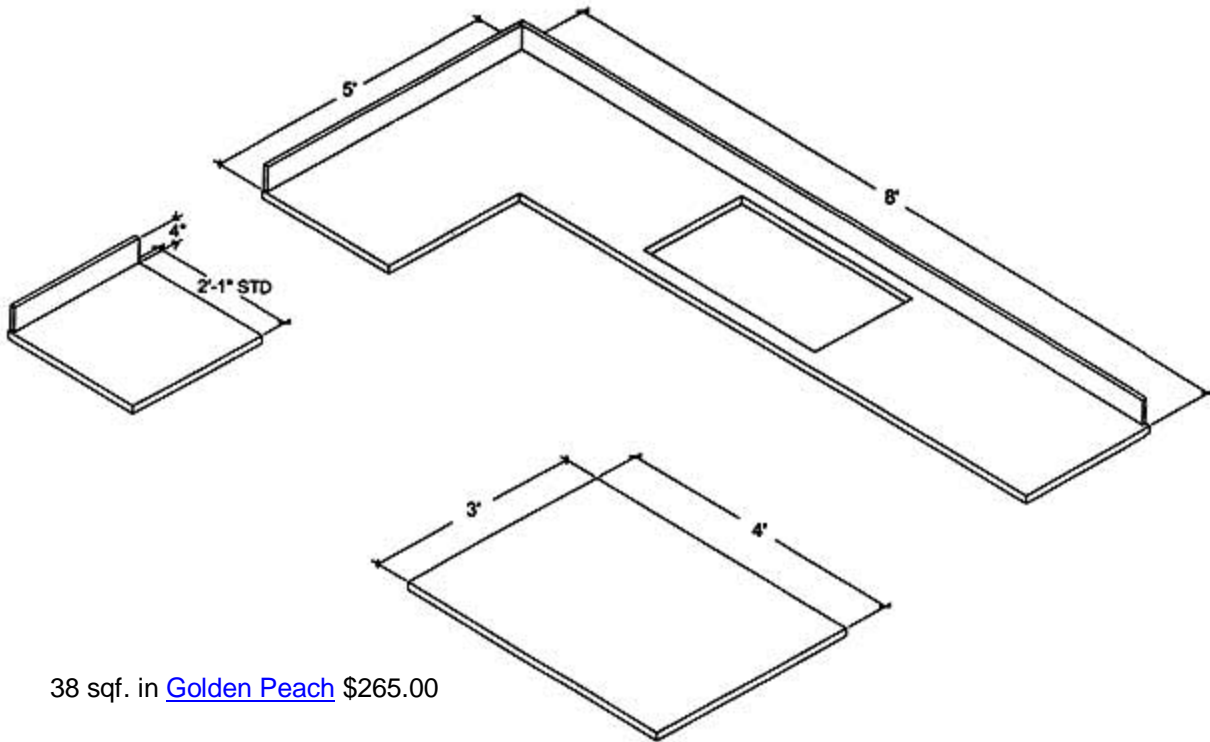
Shower Wall Panels

3/8" thick panels



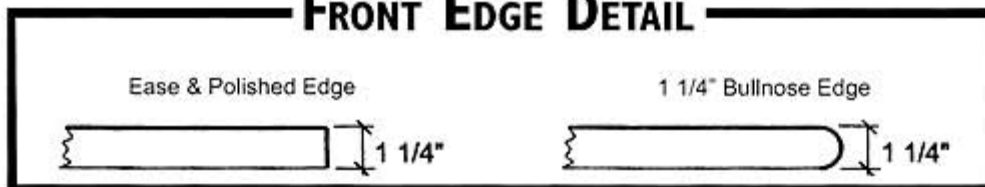
38 sqf. in [Golden Peach](#) \$350.00

Typical Kitchen

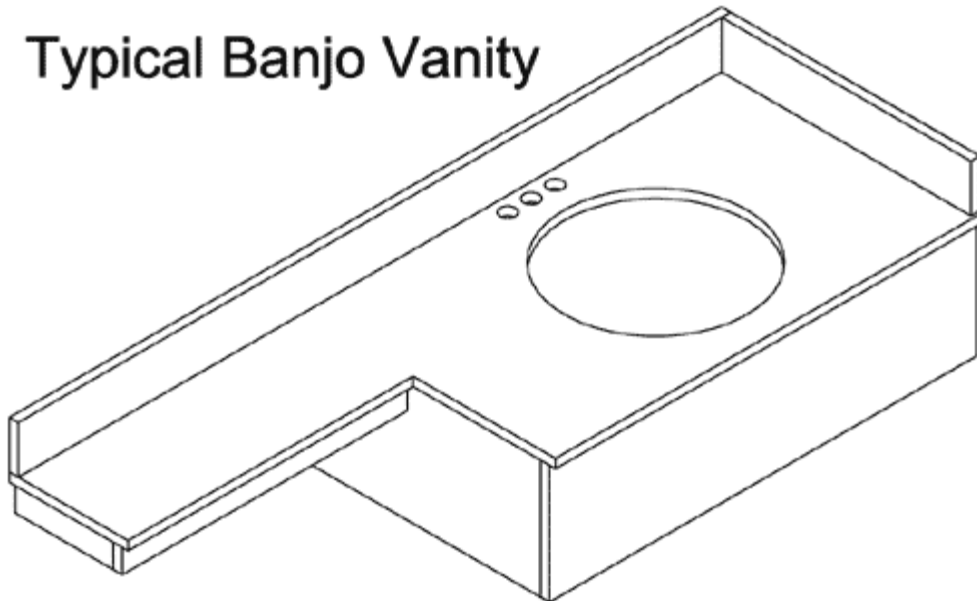


38 sqf. in [Golden Peach](#) \$265.00

FRONT EDGE DETAIL

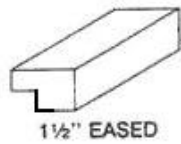


Typical Banjo Vanity



(72"x24"x3/4") in [Golden Peach](#) \$85.00

BLANKS & ISLANDS



Fabrication Samples

All Carved in Natural Stone

Round & Square Sinks

Vanity Tops

Counter Tops

Table Tops

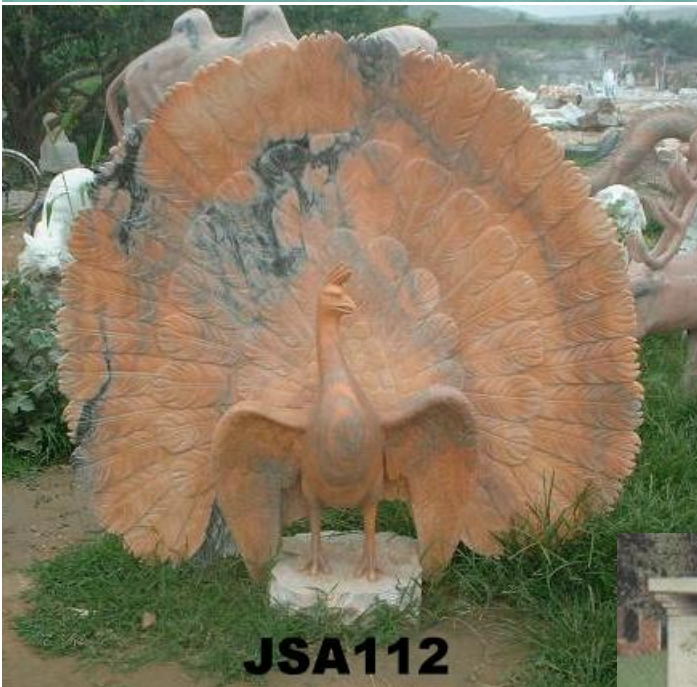
The Full Catalog is published on our web site



Voice (800)788-8478 (310)282-8217 (818)783-3588 Fax (818)784-9924
www.marbleservices.com E-mail: pini@marbleservices.net

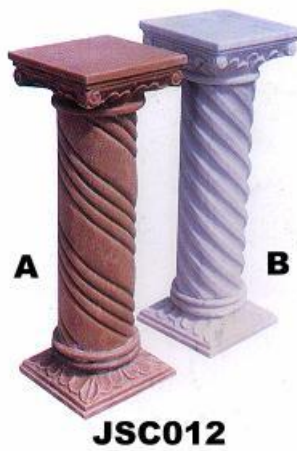
Craftsman Product

The Full Catalog is published on our web site



Voice (800)788-8478 (310)282-8217 (818)783-3588 Fax (818)784-9924
www.marbleservices.com E-mail: pini@marbleservices.net

Columns



GAZEBO



JSZ044



JSZ064



JSZ051
D:300CM



JSZ038

5 More to choose from our web site

Voice (800)788-8478 (310)282-8217 (818)783-3588 Fax (818)784-9924
www.marbleservices.com E-mail: pini@marbleservices.net